



**Models:**

R1200  
3-Jaw Self-Centering  
External

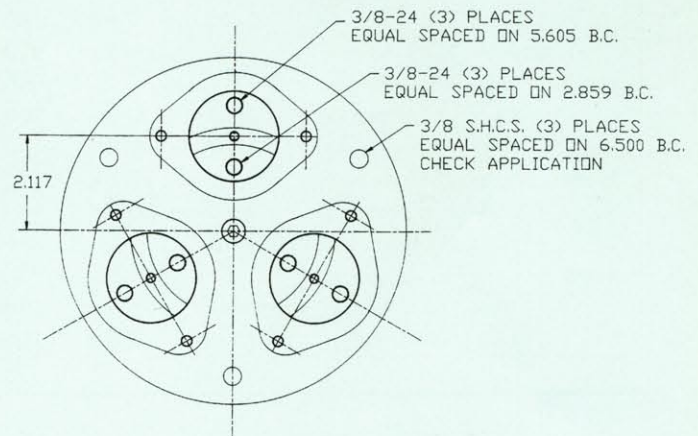
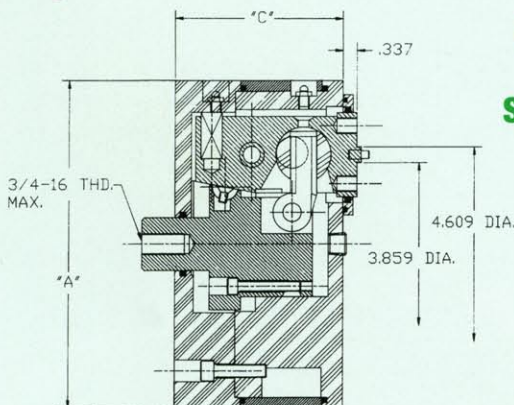
R1202  
3-Jaw Compensating  
External

R1300  
2-Jaw Compensating  
External

R1400  
2-Jaw Self-Centering  
External

## HIGH QUALITY DRAW BAR OPERATED POWER CHUCKS

**R1200  
8" Diameter  
3-Jaw  
Self-Centering**

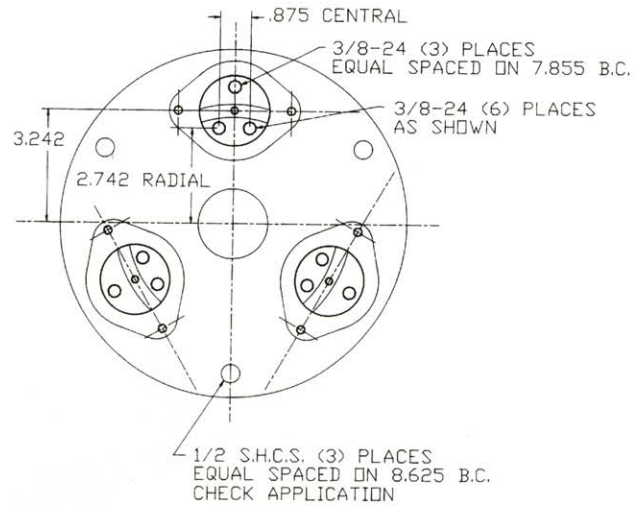
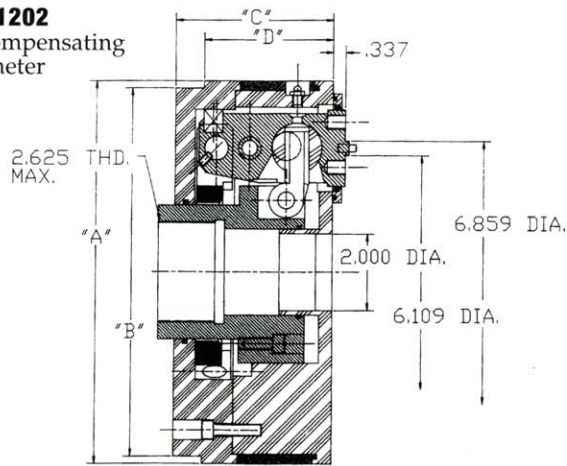


*Specializing in  
Workholding Since 1946*

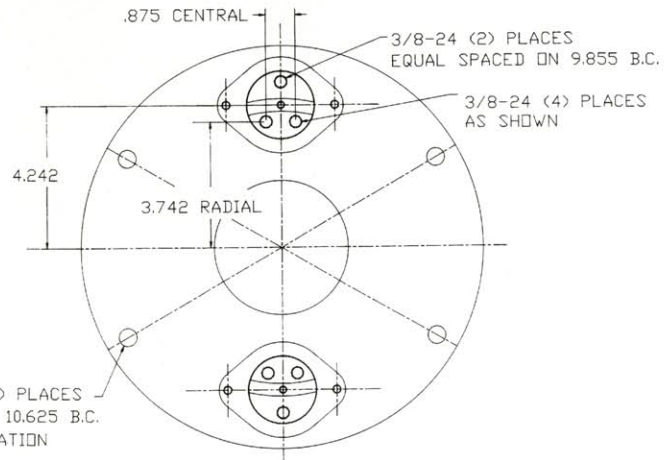
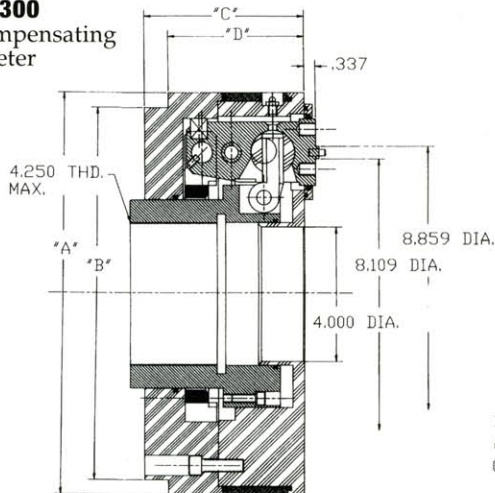
# R1200 SERIES

**StaceAllen**  
CHUCKS

**Model R1202**  
3-Jaw Compensating  
10" Diameter



**Model R1300**  
2-Jaw Compensating  
12" Diameter



| Model | Type                  | Maximum Hole Through | Maximum Weight | Chuck Diameter |        | Chuck Height |       | Total Jaw Travel                  | Maximum Draw Bar Force |
|-------|-----------------------|----------------------|----------------|----------------|--------|--------------|-------|-----------------------------------|------------------------|
|       |                       |                      |                | A              | B      | C            | D     |                                   |                        |
| R1200 | 3-Jaw, Self-Centering |                      | 53 lbs.        | 7.75           |        | 4.000        |       | .281 Total                        | 9000 lbs.              |
|       | 3-Jaw, Self-Centering | 2.000                | 87 lbs.        | 10.00          | 9.625  | 4.125        | 3.375 | .281 Total                        | 9000 lbs.              |
|       | 3-Jaw, Self-Centering | 4.000                | 98 lbs.        | 12.00          | 11.125 | 4.750        | 4.040 | .281 Total                        | 9000 lbs.              |
| R1202 | 3-Jaw, Compensating   |                      | 53 lbs.        | 7.75           |        | 4.125        |       | .340 min. (depends on jaw length) | 9000 lbs.              |
|       | 3-Jaw, Compensating   | 2.000                | 87 lbs.        | 10.00          | 9.625  | 4.125        | 3.375 | .340 min. (depends on jaw length) | 9000 lbs.              |
|       | 3-Jaw, Compensating   | 4.000                | 98 lbs.        | 12.00          | 11.125 | 4.750        | 4.040 | .340 min. (depends on jaw length) | 9000 lbs.              |
| R1300 | 2-Jaw, Compensating   |                      | 53 lbs.        | 7.75           |        | 4.125        |       | .340 min. (depends on jaw length) | 6000 lbs.              |
|       | 2-Jaw, Compensating   | 2.000                | 87 lbs.        | 10.00          | 9.625  | 4.125        | 3.375 | .340 min. (depends on jaw length) | 6000 lbs.              |
|       | 2-Jaw, Compensating   | 4.000                | 98 lbs.        | 12.00          | 11.125 | 4.750        | 4.040 | .340 min. (depends on jaw length) | 6000 lbs.              |
| R1400 | 2-Jaw, Self-Centering |                      | 53 lbs.        | 7.75           |        | 4.000        |       | .281 Total                        | 6000 lbs.              |
|       | 2-Jaw, Self-Centering | 2.000                | 87 lbs.        | 10.00          | 9.625  | 4.125        | 3.375 | .281 Total                        | 6000 lbs.              |
|       | 2-Jaw, Self-Centering | 4.000                | 98 lbs.        | 12.00          | 11.125 | 4.750        | 4.040 | .281 Total                        | 6000 lbs.              |

*For Firm Proposal, Submit Part Prints, Tool Layout and Machine Mounting Information*

*Let Us Solve  
Your Chucking  
Problems*

**STACE-ALLEN CHUCKS, INC.**

2246-50 West Minnesota Street

Indianapolis, Indiana 46221

(317) 632-2401

Fax: (317) 637-7563