

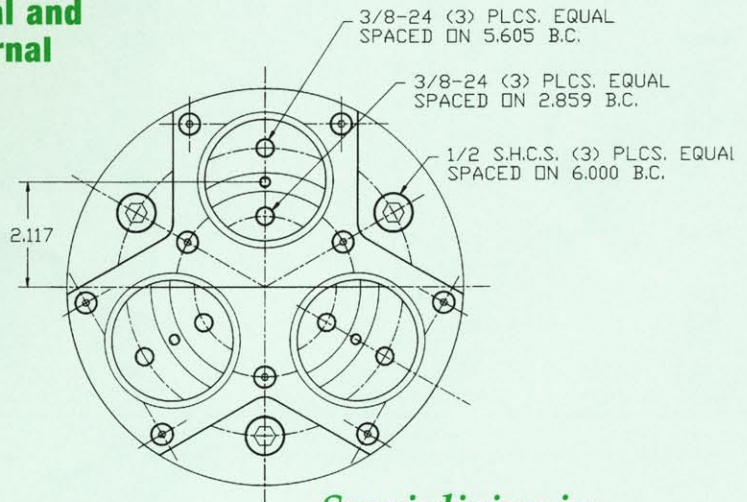
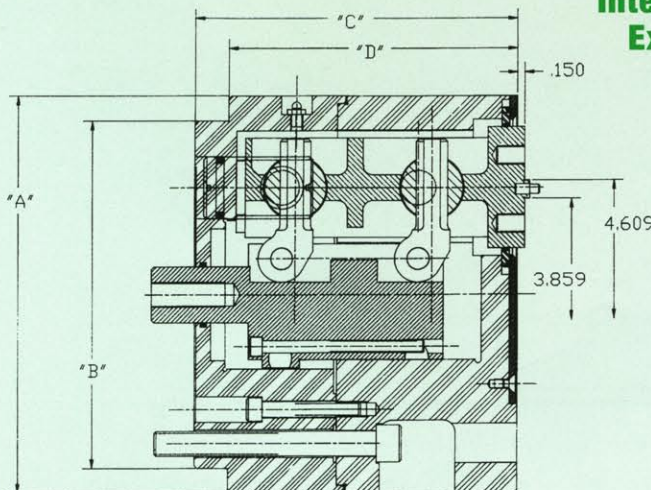
**Models:**

R1600  
Internal and External

R4600  
Internal and External

# HIGH QUALITY DRAW BAR OPERATED POWER CHUCKS

**R1600 8"**  
**Internal and  
External**

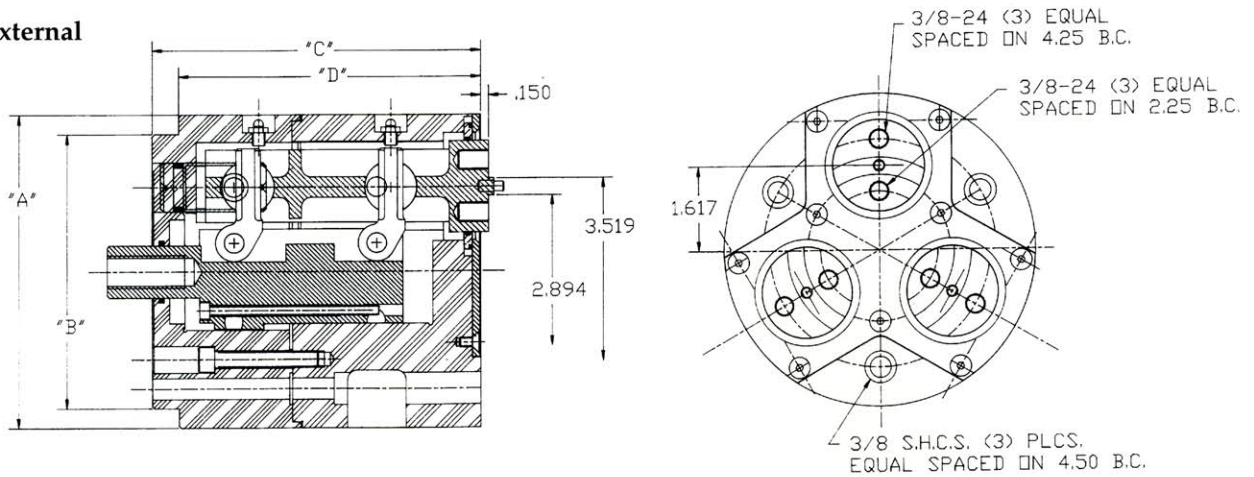


*Specializing in  
Workholding Since 1946*

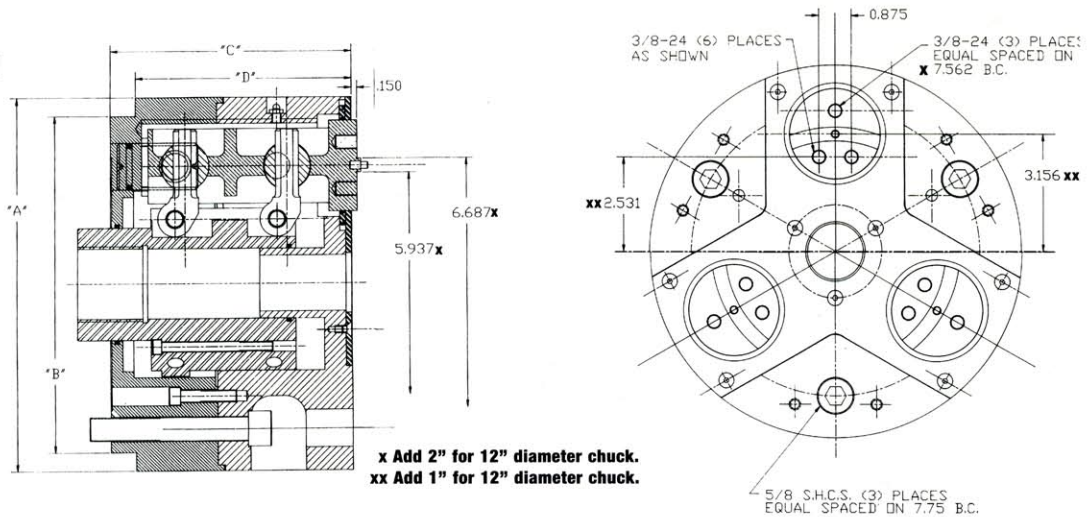
# R1600 R4600 SERIES

*Stace Allen*  
**CHUCKS**

## Model R1600 Internal and External 6" Diameter



## Model R1600 Internal and External 10" Diameter



Model	Type	Maximum Hole Through	Maximum Weight	Chuck Diameter		Chuck Height		Jaw Travel With 1.50" Stroke Cylinder	Maximum Draw Bar Force
				A	B	C	D		
R1600	3-Jaw		40 lbs.	6.000	5.250	6.311	5.800	.250 per jaw	3500 lbs.
	3-Jaw		71 lbs.	8.000	7.000	6.500	5.820	.250 per jaw	9000 lbs.
	3-Jaw	1.500	104 lbs.	10.000	9.000	6.500	5.820	.250 per jaw	9000 lbs.
	3-Jaw	3.500	135 lbs.	12.000	11.000	6.125	5.445	.250 per jaw	9000 lbs.
R4600	3-Jaw		40 lbs.	6.000	5.250	6.311	5.800	.250 min. (depends on jaw length)	3500 lbs.
	3-Jaw		71 lbs.	8.000	7.000	6.500	5.820	.250 min. (depends on jaw length)	9000 lbs.
	3-Jaw	1.500	104 lbs.	10.000	9.000	6.500	5.820	.250 min. (depends on jaw length)	9000 lbs.
	3-Jaw	3.500	135 lbs.	12.000	11.000	6.125	5.445	.250 min. (depends on jaw length)	9000 lbs.

For Firm Proposal, Submit Part Prints, Tool Layout and Machine Mounting Information

Let Us Solve  
Your Chucking  
Problems

**STACE-ALLEN CHUCKS, INC.**  
2246-50 West Minnesota Street  
Indianapolis, Indiana 46221  
(317) 632-2401  
Fax: (317) 637-7563