

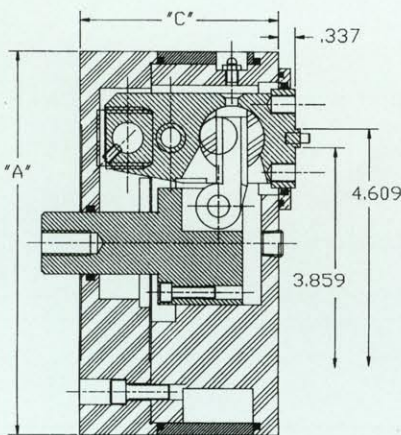


Models:

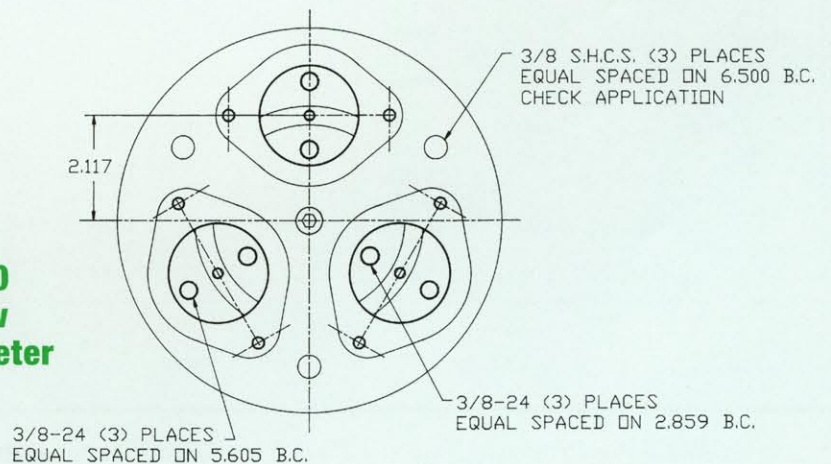
R4200
3-Jaw, 8", 10", 12"
Internal and External

R4200
2-Jaw, 8", 10", 12"
Internal and External

HIGH QUALITY DRAW BAR OPERATED POWER CHUCKS



**R4200
3-Jaw
8" Diameter**

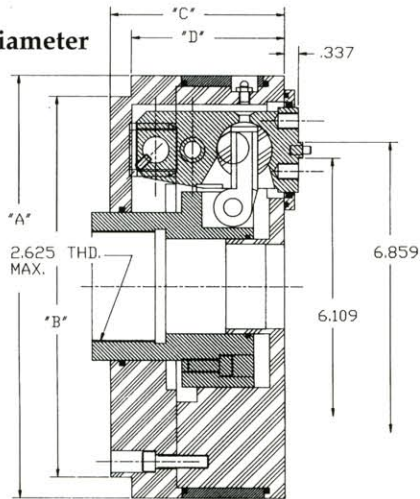


*Specializing in
Workholding Since 1946*

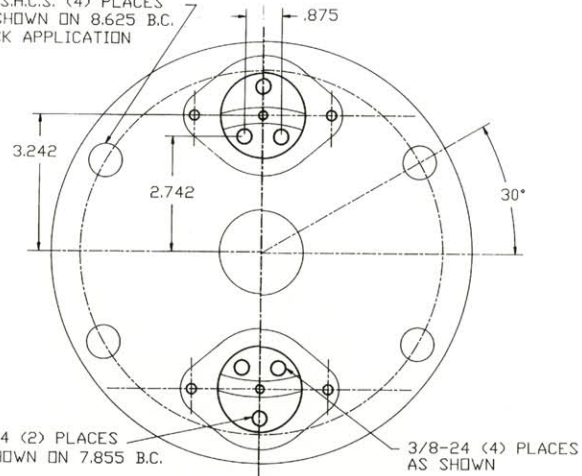
R4200 SERIES

Stace Allen
CHUCKS

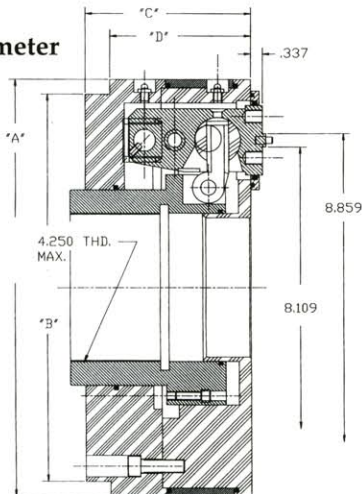
Model R4200
2-Jaw, 10" Diameter



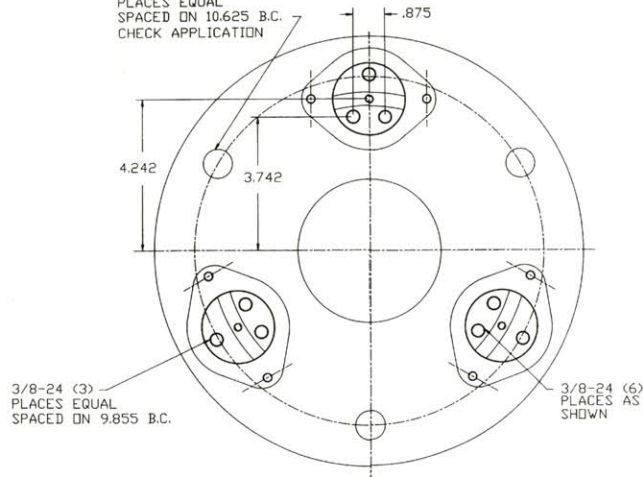
1/2 S.H.C.S. (4) PLACES
AS SHOWN ON 8.625 B.C.
CHECK APPLICATION



Model R4200
3-Jaw, 12" Diameter



1/2 S.H.C.S. (3)
PLACES EQUAL
SPACED ON 10.625 B.C.
CHECK APPLICATION



Model	Type	Maximum Hole Through	Maximum Weight	Chuck Diameter		Chuck Height		Total Jaw Travel	Maximum Draw Bar Force
				A	B	C	D		
R4200	3-Jaw		53 lbs.	7.75		4.000		.340 min. (depends on jaw length)	9000 lbs.
	3-Jaw	2.000	87 lbs.	10.00	9.000	4.125	3.625	.340 min. (depends on jaw length)	9000 lbs.
	3-Jaw	4.000	98 lbs.	12.00	11.125	4.750	4.040	.340 min. (depends on jaw length)	9000 lbs.
	2-Jaw		53 lbs.	7.75		4.000		.340 min. (depends on jaw length)	6000 lbs.
	2-Jaw	2.000	87 lbs.	10.00	9.000	4.125	3.625	.340 min. (depends on jaw length)	6000 lbs.
	2-Jaw	4.000	98 lbs.	12.00	11.125	4.750	4.040	.340 min. (depends on jaw length)	6000 lbs.

For Firm Proposal, Submit Part Prints, Tool Layout and Machine Mounting Information

*Let Us Solve
Your Chucking
Problems*

STACE-ALLEN CHUCKS, INC.
2246-50 West Minnesota Street
Indianapolis, Indiana 46221
(317) 632-2401
Fax: (317) 637-7563