

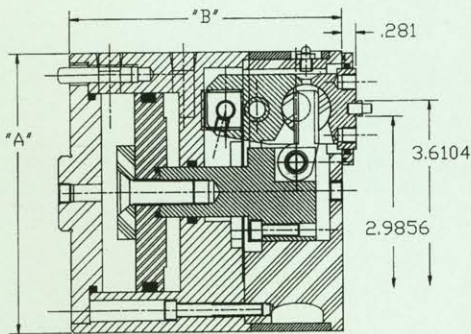
Models:

R4400
3-Jaw
5.625", 6.50", 8.50"
Internal and External

R4400
2-Jaw
5.625", 6.50", 8.50"
Internal and External

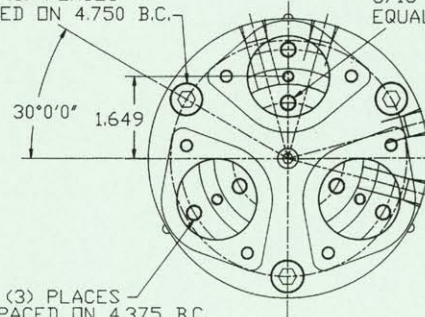


HIGH QUALITY POWER CHUCKS WITH BUILT-IN CYLINDER



3/8 S.H.C.S. (3) PLACES
EQUAL SPACED ON 4.750 B.C.

5/16-24 (3) PLACES
EQUAL SPACED ON 2.234 B.C.



5/16-24 (3) PLACES
EQUAL SPACED ON 4.375 B.C.

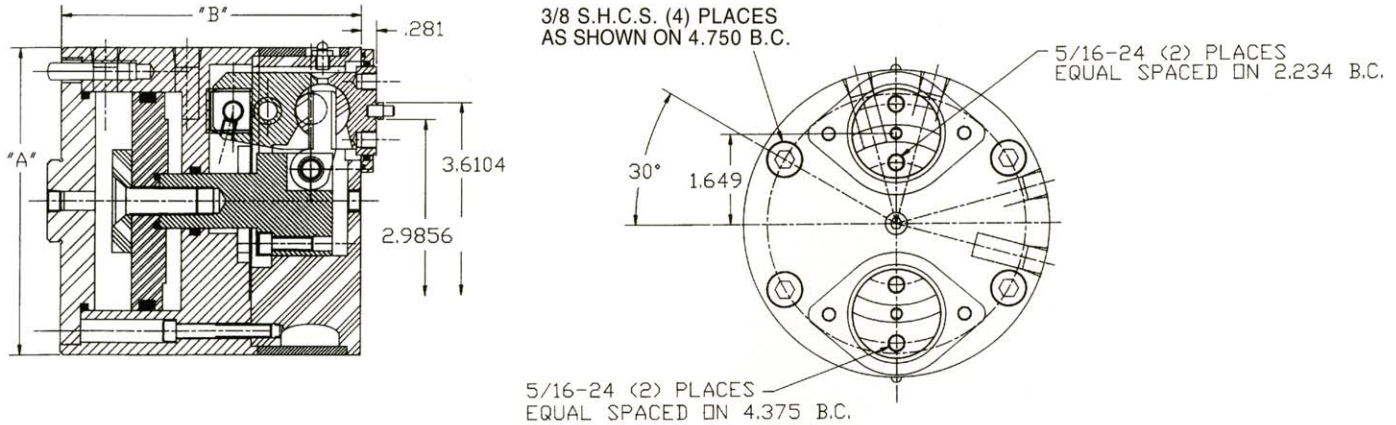
R4400
3-Jaw
Internal and External

*Specializing in
Workholding Since 1946*

R4400 SERIES

Stace Allen
CHUCKS

Model R4400
2-Jaw
Internal and External



Model	Type	Maximum Hole Through	Maximum Weight	Chuck Dimensions		Jaw Travel Per Jaw	Piston Area Square Inches		Maximum Pressure
				A	B		Clamp	Unclamp	
R4400	3-Jaw		39 lbs.	5.625	5.500	.140 min. (depends on jaw length)	11.75	12.54	425
*	3-Jaw	.875	50 lbs.	6.500	5.500	.140 min. (depends on jaw length)	12.50	14.50	400 approx.
*	3-Jaw	2.875	86 lbs.	8.500	5.500	.140 min. (depends on jaw length)	39.70	48.70	125 approx.
*	2-Jaw		39 lbs.	5.625	5.500	.140 min. (depends on jaw length)	11.75	12.54	425
*	2-Jaw	.875	50 lbs.	6.500	5.500	.140 min. (depends on jaw length)	12.50	14.50	400 approx.
*	2-Jaw	2.875	86 lbs.	8.500	5.500	.140 min. (depends on jaw length)	39.70	48.70	125 approx.

*Special Designs Available with Hole Through and Larger Cylinders

For Firm Proposal, Submit Part Prints, Tool Layout and Machine Mounting Information

*Let Us Solve
Your Chucking
Problems*

STACE-ALLEN CHUCKS, INC.
2246-50 West Minnesota Street
Indianapolis, Indiana 46221
(317) 632-2401
Fax: (317) 637-7563