



HIGH QUALITY PRECISION CHUCKS

Models:

80A
Internal and External
Chucking

81A
External Chucking

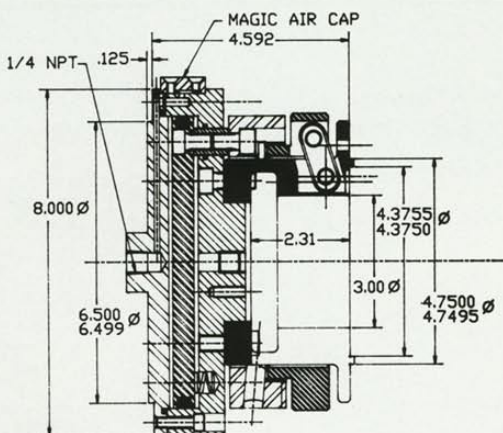
82A
Coolant Through Center
Internal and External
Chucking

83A
Coolant Through Center
External Chucking

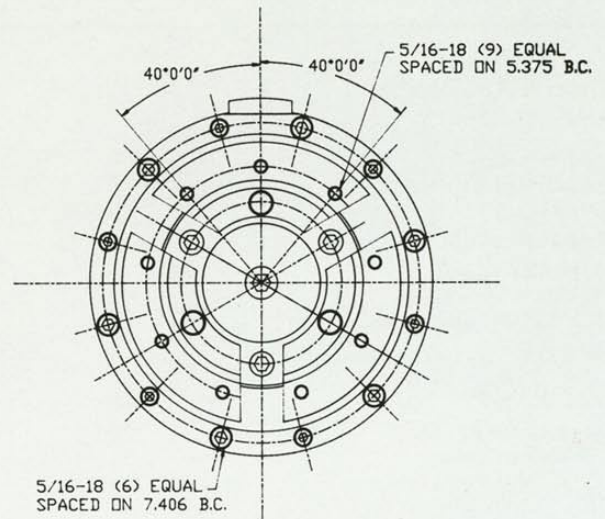
84A
Double Acting or Internal
and External Chucking

87A
Holding Fixture with Hole
Through Internal and
External Chucking or
Double Acting

All models available sealed
or open.



Model 80A
Open



Weight: 40 lbs.

Piston Effective Area:
I.D. 34.88 Square Inches
O.D. 35.78 Square Inches

Jaw Travel:
I.D. .025 Inches Max.
O.D. .035 Inches Max.

Recommended Part Range With Standard Jaws:
I.D. 2" Min./9.75" Max.
O.D. 1" Min./9.00" Max.

Capable of either internal or external
gripping remove the Magic Air Cap, rotate
180°, and reinstall.

*Specializing in
Workholding Since 1946*

Model 81A

Sealed

O.D. Gripping Only

Weight: 40 lbs.

Piston Effective Area:

O.D. 35.78 Square Inches

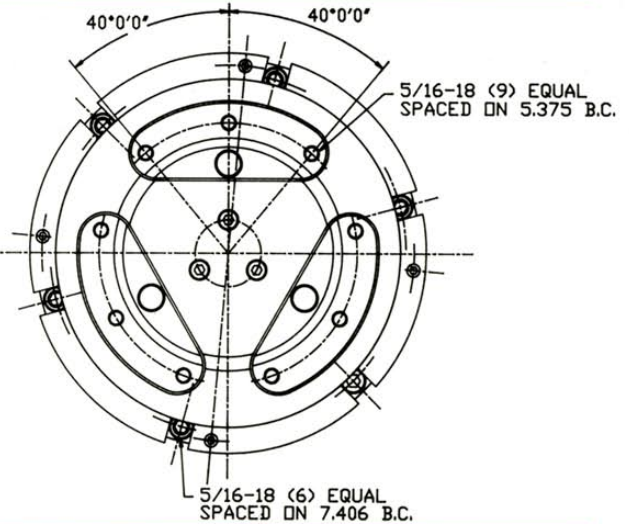
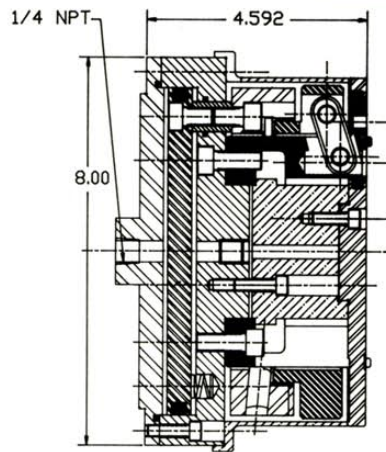
Jaw Travel:

O.D. .035 Inches Max.

Recommended Part Range

With Standard Jaws:

O.D. 1" Min./9.00" Max.



Model 82A

Sealed

Internal and External Chucking and Coolant Through

Weight: 40 lbs.

Piston Effective Area:

I.D. 32.79 Square Inches

O.D. 33.70 Square Inches

Jaw Travel:

I.D. .025 Inches Max.

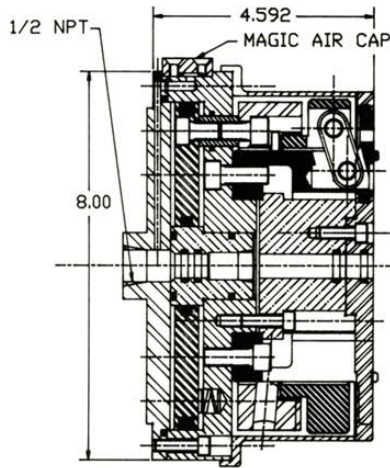
O.D. .035 Inches Max.

Recommended Part Range

With Standard Jaws:

I.D. 2" Min./9.75" Max.

O.D. 1" Min./9.00" Max.



Model 83A

Sealed

External Chucking Coolant Through Center

Weight: 40 lbs.

Piston Effective Area:

O.D. 33.70 Square Inches

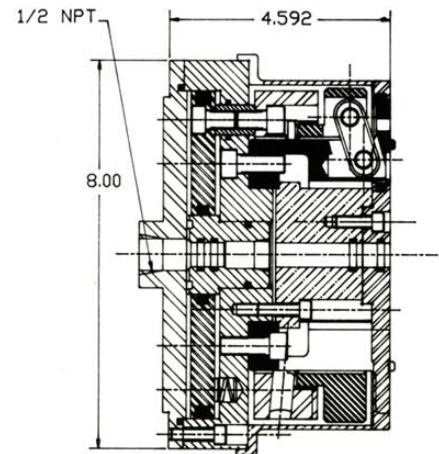
Jaw Travel:

O.D. .035 Inches Max.

Recommended Part Range

With Standard Jaws:

O.D. 1" Min./9.00" Max.



Model 84A

Sealed

Double Acting Internal and External Chucking

Weight: 40 lbs.

Piston Effective Area:

I.D. 32.79 Square Inches

O.D. 33.70 Square Inches

Jaw Travel:

I.D. .025 Inches Max.

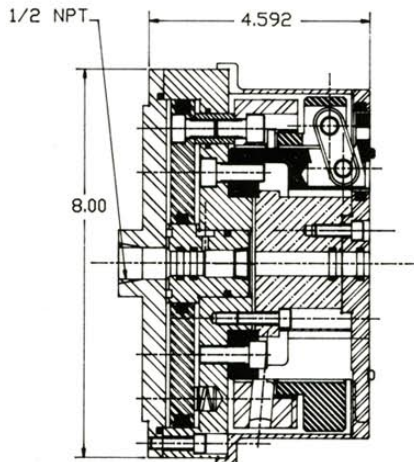
O.D. .035 Inches Max.

Recommended Part Range

With Standard Jaws:

I.D. 2" Min./9.75" Max.

O.D. 1" Min./9.00" Max.



Model 87A

Sealed, Open Model Available With 2.25 Max. Hole Thru

Internal and External Chucking or Double Acting With 1.812 Hole Through

Weight: 32 lbs.

Piston Effective Area:

I.D. 30.88 Square Inches

O.D. 31.79 Square Inches

Jaw Travel:

I.D. .030 Inches Max.

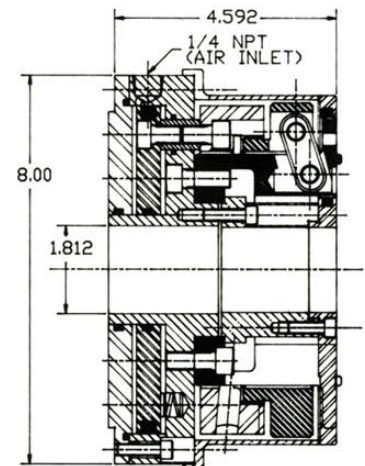
O.D. .030 Inches Max.

Recommended Part Range

With Standard Jaws:

I.D. 2" Min./9.75" Max.

O.D. 1" Min./9.00" Max.



FOR FIRM PROPOSAL, SUBMIT PART PRINTS, TOOL LAYOUT AND MACHINE MOUNTING INFORMATION

For Best Accuracy and optimum grip force chuck jaws must be finished on a Stace-Allen Chuck.

*Let Us Solve
Your Chucking
Problems*

STACE-ALLEN CHUCKS, INC.

2246-50 West Minnesota Street

Indianapolis, Indiana 46221

(317) 632-2401

Fax: (317) 637-7563