

Models:

R1200
3-Jaw Self-Centering
External
Air or Hydraulic

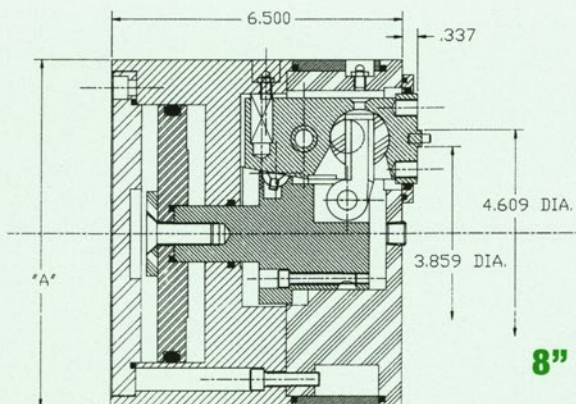
R1202
3-Jaw Compensating
External
Air or Hydraulic

R1300
2-Jaw Compensating
External
Air or Hydraulic

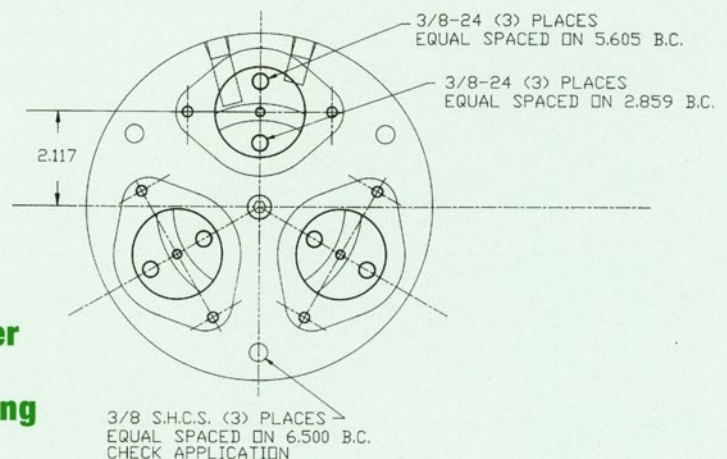
R1400
2-Jaw Self-Centering
External
Air or Hydraulic



**HIGH QUALITY
POWER CHUCKS
WITH BUILT-IN
CYLINDER**



**R1200
8" Diameter
3-Jaw
Self-Centering**

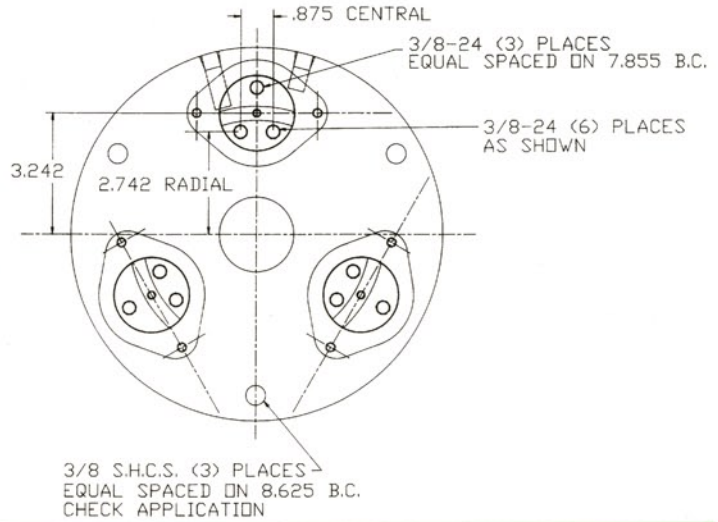
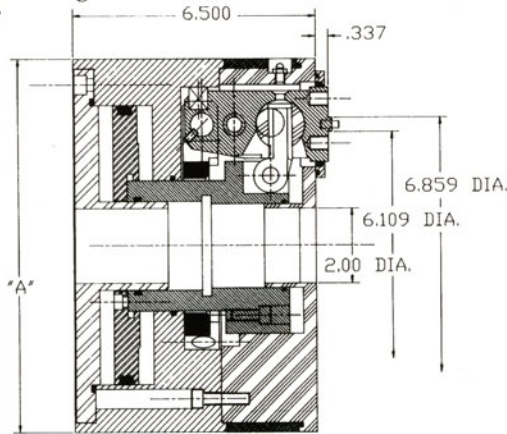


*Specializing in
Workholding Since 1946*

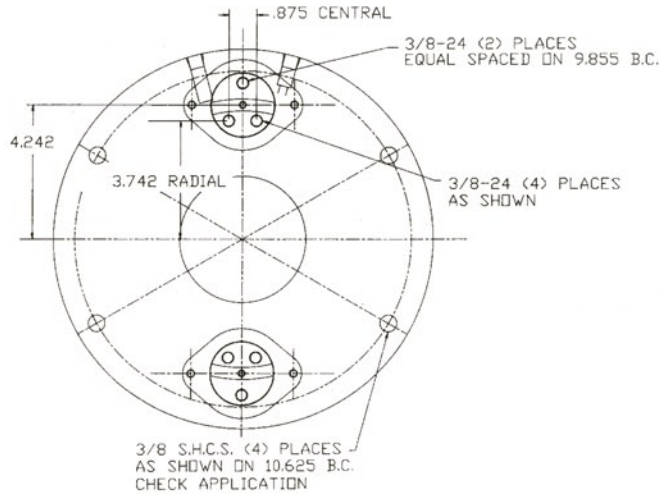
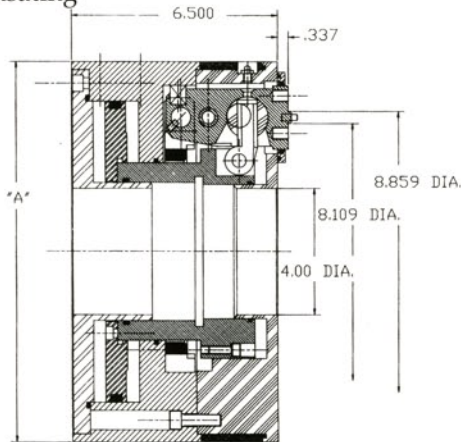
R1200 SERIES

StaceAllen
CHUCKS

Model R1202
3-Jaw Compensating
10" Diameter



Model R1300
2-Jaw Compensating
12" Diameter



Model	Type	Maximum Hole Through	Maximum Weight	Chuck Diameter	Total Jaw Travel	Piston Area		Maximum Pressure
						Clamp	Unclamp	
				A				
R1200	3-Jaw, Self-Centering		86 lbs.	7.75	.281 Total	24.62	25.87	350
	3-Jaw, Self-Centering	2.000	137 lbs.	10.00	.281 Total	34.49	39.73	260
	3-Jaw, Self-Centering	4.000	183 lbs.	12.00	.281 Total	45.95	55.31	195
R1202	3-Jaw, Compensating		86 lbs.	7.75	.340 min. (depends on jaw length)	24.62	25.87	350
	3-Jaw, Compensating	2.000	137 lbs.	10.00	.340 min. (depends on jaw length)	34.49	39.73	260
	3-Jaw, Compensating	4.000	183 lbs.	12.00	.340 min. (depends on jaw length)	45.95	55.31	195
R1300	2-Jaw, Compensating		86 lbs.	7.75	.340 min. (depends on jaw length)	24.62	25.87	240
	2-Jaw, Compensating	2.000	137 lbs.	10.00	.340 min. (depends on jaw length)	34.49	39.73	170
	2-Jaw, Compensating	4.000	183 lbs.	12.00	.340 min. (depends on jaw length)	45.95	55.31	130
R1400	2-Jaw, Self-Centering		86 lbs.	7.75	.281 Total	24.62	25.87	240
	2-Jaw, Self-Centering	2.000	137 lbs.	10.00	.281 Total	34.49	39.73	170
	2-Jaw, Self-Centering	4.000	183 lbs.	12.00	.281 Total	45.95	55.31	130

For Firm Proposal, Submit Part Prints, Tool Layout and Machine Mounting Information

*Let Us Solve
Your Chucking
Problems*

STACE-ALLEN CHUCKS, INC.
2246-50 West Minnesota Street
Indianapolis, Indiana 46221
(317) 632-2401
Fax: (317) 637-7563