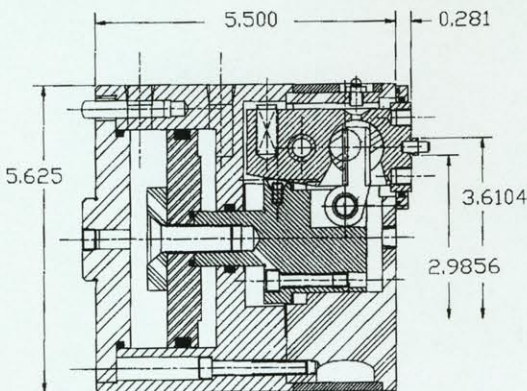




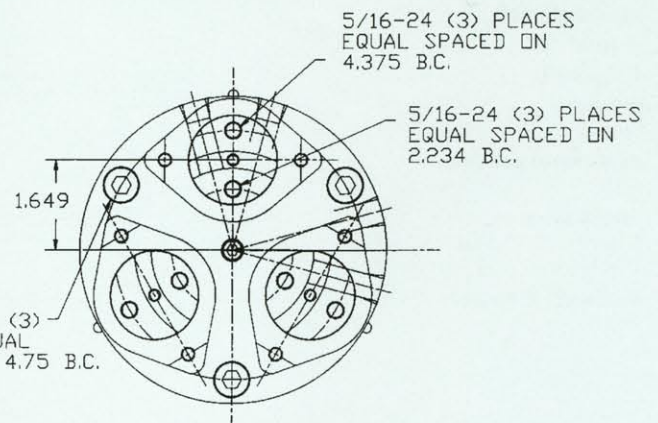
**Models:**

- R2200  
3-Jaw  
External
- R2202  
3-Jaw Compensating  
External
- R2300  
2-Jaw Compensating  
External
- R2400  
2-Jaw  
External

## HIGH QUALITY POWER CHUCKS WITH BUILT-IN CYLINDER



**R2200  
3-Jaw  
External**



**Model R2200**  
3-Jaw External  
**Weight:**  
39 lbs.  
**Jaw Travel per Jaw:**  
.110

**Piston Area:**  
Clamp: 11.75 Square Inches  
Unclamp: 12.54 Square Inches  
**Maximum Pressure:**  
425

*Specializing in  
Workholding Since 1946*

# R2200 SERIES

*Stace Allen*  
CHUCKS

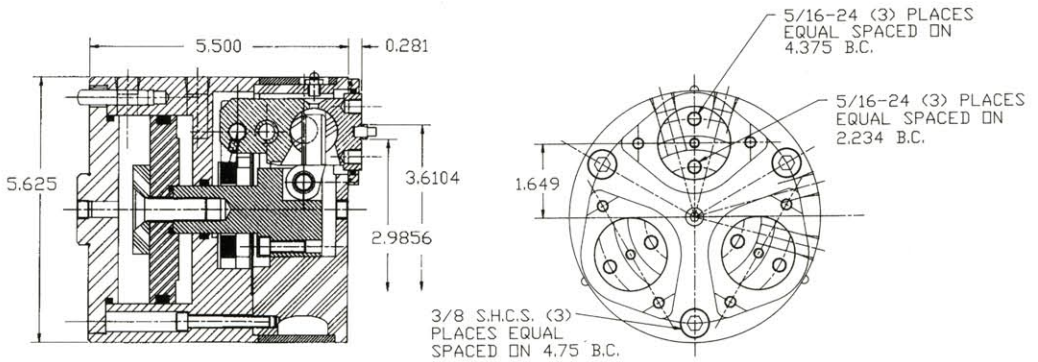
**Model R2202**  
3-Jaw Compensating  
External

**Weight:**  
39 lbs.

**Jaw Travel per Jaw:**  
.140 min. (depends on jaw length)

**Piston Area:**  
Clamp: 11.75 Square Inches  
Unclamp: 12.54 Square Inches

**Maximum Pressure:**  
425



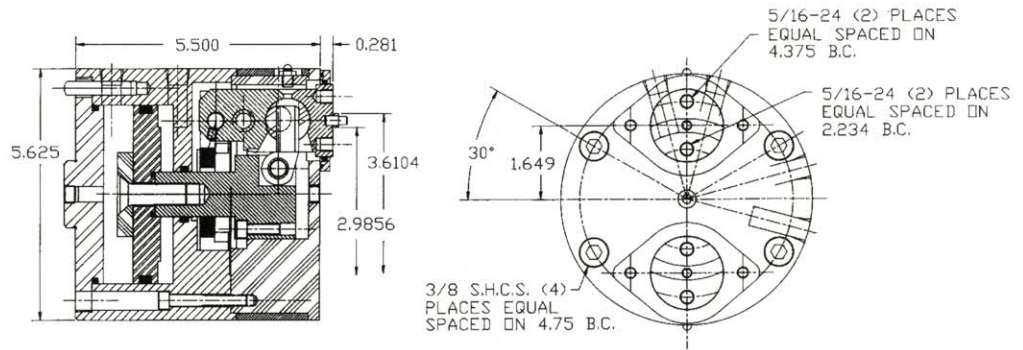
**Model R2300**  
2-Jaw Compensating  
External

**Weight:**  
39 lbs.

**Jaw Travel per Jaw:**  
.140 min. (depends on jaw length)

**Piston Area:**  
Clamp: 11.75 Square Inches  
Unclamp: 12.54 Square Inches

**Maximum Pressure:**  
255



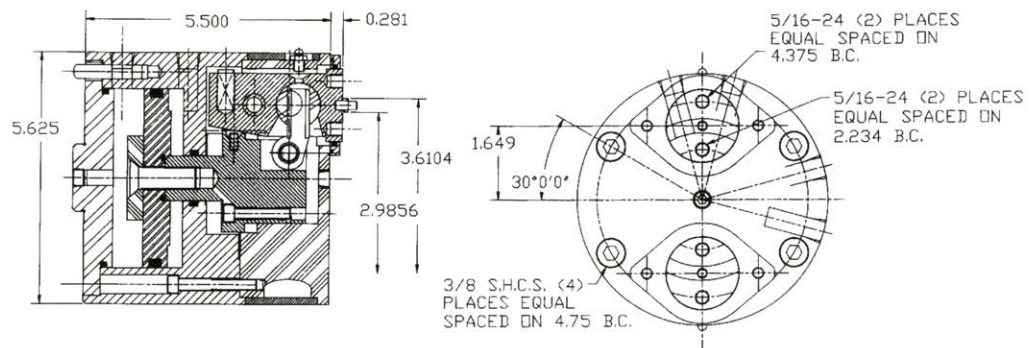
**Model R2400**  
2-Jaw  
External

**Weight:**  
39 lbs.

**Jaw Travel per Jaw:**  
.110

**Piston Area:**  
Clamp: 11.75 Square Inches  
Unclamp: 12.54 Square Inches

**Maximum Pressure:**  
255



Special Designs Available with Hole Through and Larger Cylinders

For Firm Proposal, Submit Part Prints, Tool Layout and Machine Mounting Information

*Let Us Solve  
Your Chucking  
Problems*

**STACE-ALLEN CHUCKS, INC.**

2246-50 West Minnesota Street

Indianapolis, Indiana 46221

(317) 632-2401

Fax: (317) 637-7563